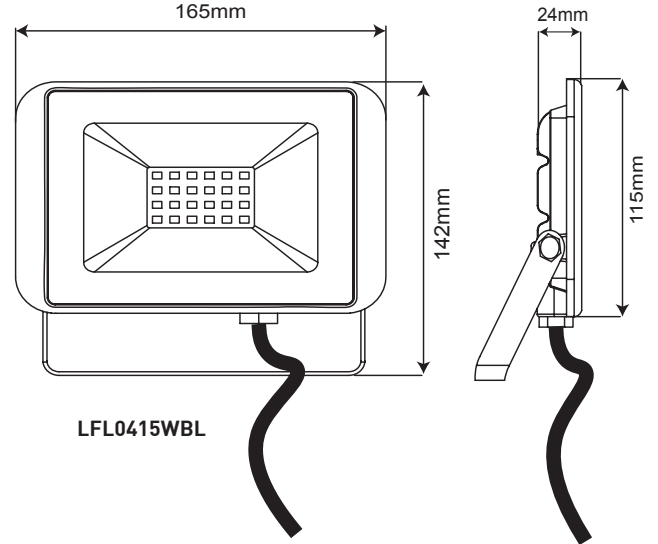
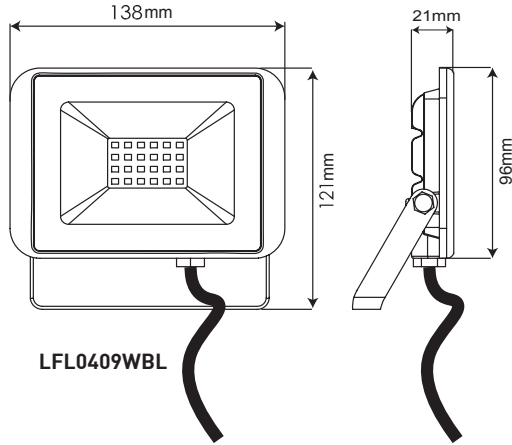




A brand of **legrand**

# FINA Slim Floodlight Instruction Manual

Cat. LFL0409WBL, LFL0415WBL



This product must be installed by a licensed electrician.

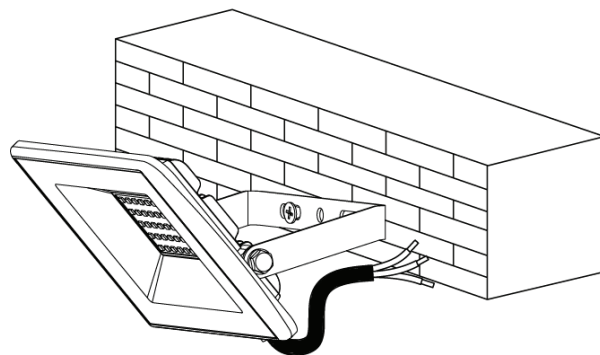
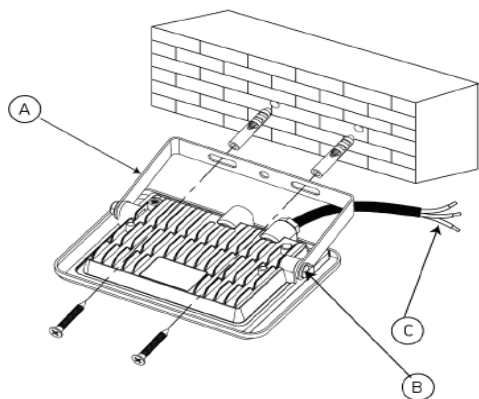
## 1 Specifications

Cat. No.	LFL0409WBL	LFL0415WBL
Input Nominal Voltage	230 - 240V a.c. 50Hz	
Input Power	10W	20W
Correlated Colour Temperature (CCT)	4000K	
Efficacy	97 lm / W	94 lm / W
Lumens Output	980lm	1900lm
Colour Rendering Index (CRI)	80+	
Power Factor	0.95	
Beam Angle	113°	
Lifespan	25,000hrs	
Dimmable	N/A	
Tilt Angle / Adjustable head	90°	
Length of Power Cord	60cm	
IP Rating	IP65	
Max. projected area	138mm x 121mm	165mm x 142mm
Recommended mounting height	2m - 4m	
Weight ( excl. packaging)	420g	620g
Warranty	3 Years	

## 2 Installation

Installing a wall switch adjacent to the power source is recommended.

1. Choose a suitable wall / ceiling mount location for the floodlight. A mounting height greater than 2m is recommended.
2. Use the mounting bracket (A) from the floodlight to mark the mounting positions on the wall / ceiling.
3. Mount the bracket on the wall / ceiling. Ensure the method of fixing can support up to a 10kg weight.
4. Terminate the power cord (C) to mains wiring as marked on the label. Ensure that the wires are secure and no bare wires are exposed.
6. Orient the floodlight to the desired position and tighten the bolts (B) completely.
7. DO NOT MEGGER TEST.



## 3 Maintenance / Cleaning

- This product should only be cleaned with a damp cloth. Cleaning agents and solvents should not be used.
- This product should not be cleaned with a hose.

## Product Notes

**1.** This product must be installed and used as per these instructions. **2.** This product must be installed by a licenced electrician. **3.** An IP rating of IP65 is generally considered suitable for fully exposed external installations. **4.** The IP rating of this product is only valid when all applicable seals, glands and their appropriate cables are installed correctly. Additional sealing may be required for irregular surfaces. **5.** The fixing screws on this product should be tightened between 0.5Nm and 0.8Nm. Over tightening may damage the product. **6.** This product contains no serviceable parts and no attempt should be made to repair this product. If the product is faulty it should be discarded. **7.** Severe electromagnetic interference from other products may cause malfunction of this product. **8.** This product has been designed to operate in ambient temperatures -10°C to 35°C, occasionally reaching 40°C. **9.** Extended exposure to UV rays (such as exposure to direct sunlight) may cause discolouration of this product. **10.** This product is not suitable for marine environments such as areas subject to salt spray and/or mist. **11.** This product is not suitable for installation in hazardous and/or corrosive areas. **12.** The material in this product may vary in colour from batch to batch. Colour matching from one batch to another cannot be guaranteed. **13.** Electrical installations periodically received transient over voltages. This product has been designed to minimise the effect of such voltages on connected equipment. It may not give full protection for extreme over voltage transients such as those resulting from a close lighting strike. **14.** This product has been designed to operate on a nominal supply voltage of 230V - 6% to 240V a.c. + 6%. **15.** Lamp life is an average and will be reduced by frequent switching. **16.** HPM Legrand reserves the right to modify the specifications of this product at any time. **17.** This product utilises intellectual property in the form of registered designs, trademarks, and/or patents. Such intellectual property remains the property of HPM Legrand in all cases.

### Warranty

Legrand warrants this product for a period of 3 years from the date of purchase.

These goods come with guarantees that cannot be excluded under the Australian and New Zealand Consumer Laws. You are entitled to a replacement or a refund for a major failure and for compensation for any other reasonably foreseeable loss or damage. You are also entitled to have the goods repaired if the goods fail to be of acceptable quality and the failure does not amount to a major failure.

See the Warranty card enclosed with this product for further details.

### Customer Service

For all Customer Service and Technical Support please call Monday to Friday during business hours.

Legrand Australia  
1300 369 777  
www.hpm.com.au

Legrand New Zealand  
0800 476 009  
www.hpm.co.nz

ABN: 31 000 102 661